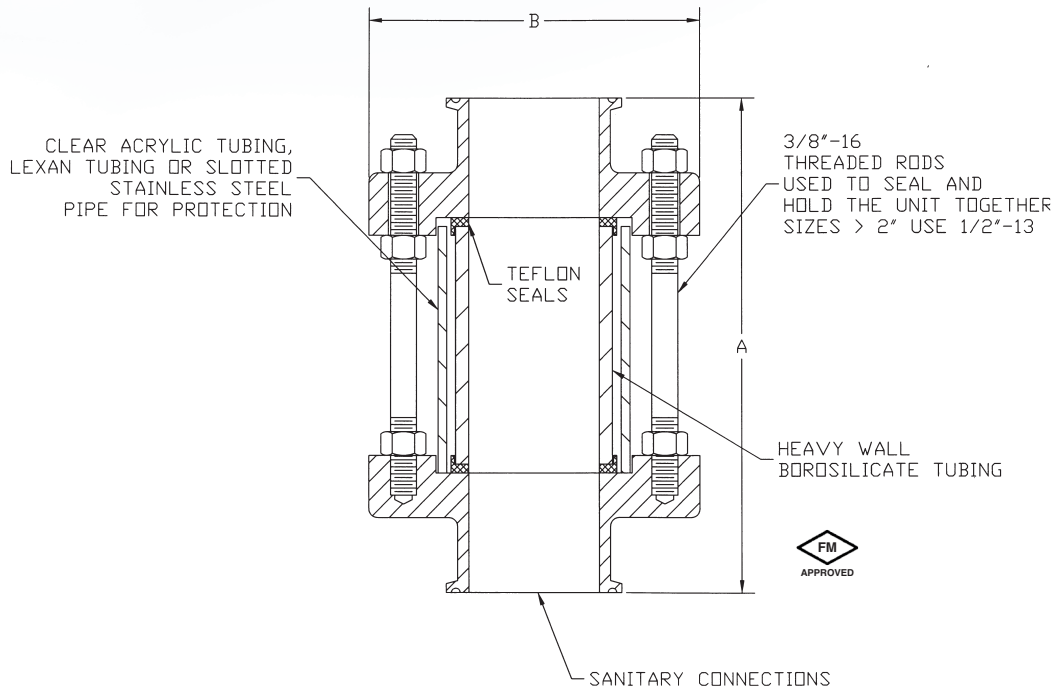


Sanitary Full-View Sight Flow Indicator

Engineering Information:



Sanitary Size	A	B	Pressure Rating PSI
3/4	6	3 1/2	150
1	6	3 3/4	150
1 1/2	6	4 1/4	120
2	7	4 3/4	100
3	7 1/2	5 3/4	100
4	10	7	70
6	12 1/2	9 1/4	45

- Other face-to-face lengths are available upon request.
- Other pressure ratings are available upon request.
- Other styles of sanitary connections are available upon request.