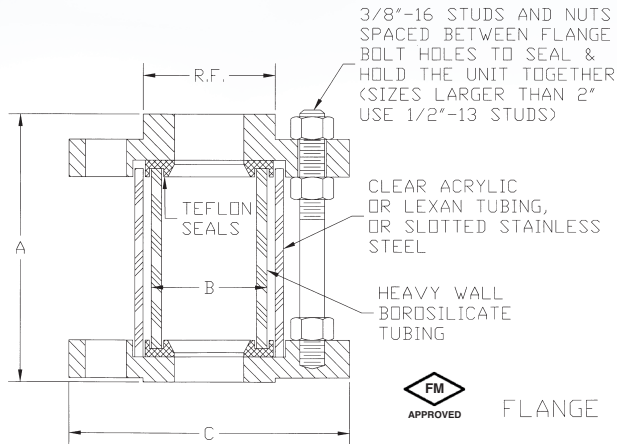
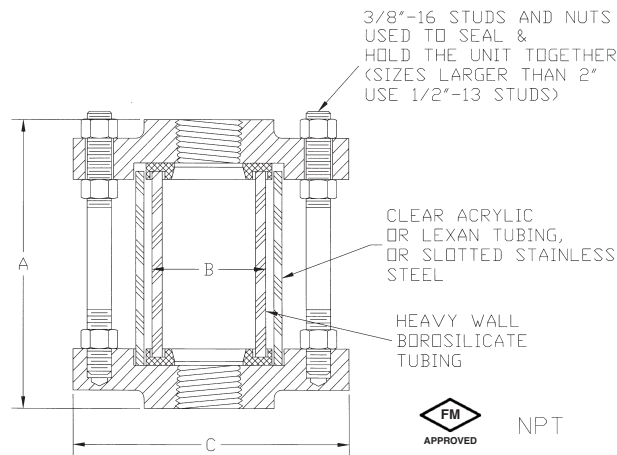


Full-View Sight Flow Indicator

Engineering Information:



Flange Size	A	B	C	R.F.	Pressure Rating PSI
1/2 "	3 7/8 "	1 1/4 "	3 1/2 "	1 3/8 "	150
3/4 "	3 7/8 "	1 1/2 "	3 7/8 "	1 11/16 "	150
1 "	4 "	1 3/4 "	4 1/2 "	2 "	150
1 1/2 "	4 "	2 1/2 "	5 "	2 7/8 "	120
2 "	4 3/4 "	3 "	6 "	3 5/8 "	100
3 "	5 3/8 "	4 "	7 1/2 "	5 "	100
4 "	7 1/2 "	5 "	9 "	6 3/16 "	70
6 "	10 1/4 "	7 "	11 "	8 1/2 "	45



NPT Size	A	B	C	Pressure Rating PSI
1/8 "	4 3/8 "	1 3/4 "	3 3/4 "	150
1/4 "	4 3/8 "	1 3/4 "	3 3/4 "	150
3/8 "	4 3/8 "	1 3/4 "	3 3/4 "	150
1/2 "	4 3/8 "	1 3/4 "	3 3/4 "	150
3/4 "	4 3/8 "	1 3/4 "	3 3/4 "	150
1 "	4 1/2 "	2 "	4 1/4 "	150
1 1/4 "	4 3/4 "	2 1/2 "	4 3/4 "	120
1 1/2 "	4 3/4 "	2 1/2 "	4 3/4 "	120
2 "	5 1/2 "	3 "	5 3/4 "	100

- Other face-to-face lengths are available upon request.
- Other pressure ratings are available upon request.
- Applications requiring DIN Standards or non-ANSI flanges are available upon request.