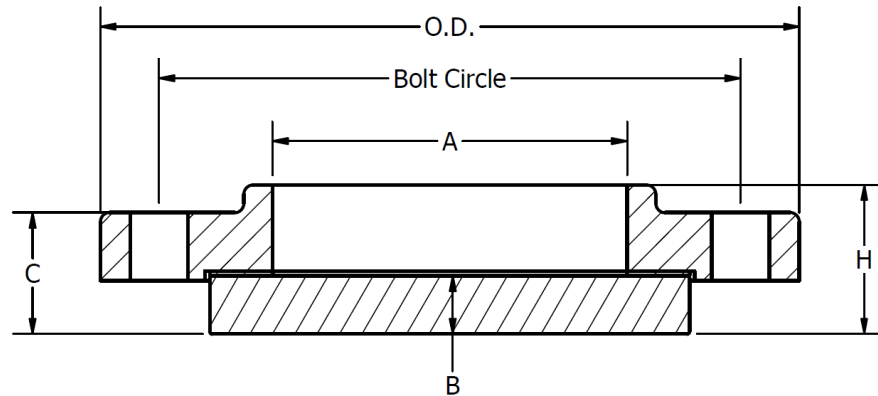


Model S Flange

Engineering Information:



Size Inch-psi	O.D.	A	B ⁽¹⁾	B ⁽²⁾	C ⁽¹⁾	C ⁽²⁾	H ⁽¹⁾	H ⁽²⁾	No. of Bolt Holes	Bolt Hole Diameter	Bolt Circle Diameter	Glass Types
2-150	6	2.44	0.5	1	1.13	1.63	1.36	1.86	4	0.75	4.75	Borosilicate, Soda Lime
2-300	6.5	2.44	0.5	1	1.26	1.76	1.67	2.17	8	0.75	5	Borosilicate, Soda Lime
3-150	7.5	3.57	0.5	1	1.38	1.88	1.62	2.12	4	0.75	6	Borosilicate, Soda Lime
3-300	8.25	1	1	-	2.06	-	2.63	-	8	0.88	6.63	Borosilicate, Soda Lime
4-150	9	4.57	0.75	1.5	1.57	2.32	1.92	2.67	8	0.88	7.5	Borosilicate, Soda Lime
4-300	10	4.57	1.25	-	2.38	-	3.01	-	8	0.88	7.88	Borosilicate Only
6-150	11	6.72	1	2	1.92	2.94	2.51	3.51	8	0.88	9.5	Borosilicate, Soda Lime
8-150	13.5	8.72	1.25	2.5	2.31	3.56	2.92	4.17	8	0.88	11.75	Borosilicate
8-150	13.5	8.72	1	2	2.06	3.06	2.67	3.67	8	0.88	11.75	Soda Lime

(1) With single piece lens.

(2) With laminated lens. Not all sizes are available with laminated lens.

Vertical dimensions are less precise due to variations in glass and gasket thicknesses.

Standard models use tempered glass. Other types are available upon request.

Product Details

Model S Flange sight glass combines the lowest cost on the market with the ease of installation and handling associated with our premium models.

There are many, less challenging applications that do not require the enhanced sealing performance or in-situ maintenance features of our premium sight glasses. For these applications, the Model S offers industry leading cost-effectiveness along with ease of installation that our premium models offer. The glass and flange assembly is bonded into a single piece so that a single technician can install the unit without having to touch or center the glass window. Sealing and maintenance characteristics are similar to other vendors' leading products. These units mount to standard ANSI B 16.5 (2" to 8") flanges. They are rated for service at up to 450F (232 C) and at 150 or 300 PSI ratings.

- Flange: Carbon Steel SA-105 (Standard); 316 or 304 Stainless Steel SA-182
- Lens: Tempered borosilicate or soda lime. Most sizes available with two piece laminated lenses. Other types of glass available by request.
- Cushion gasket: Blue-guard 3000.
- Sealing gasket: Teflon, gylon, graphoil, blue-guard, etc.